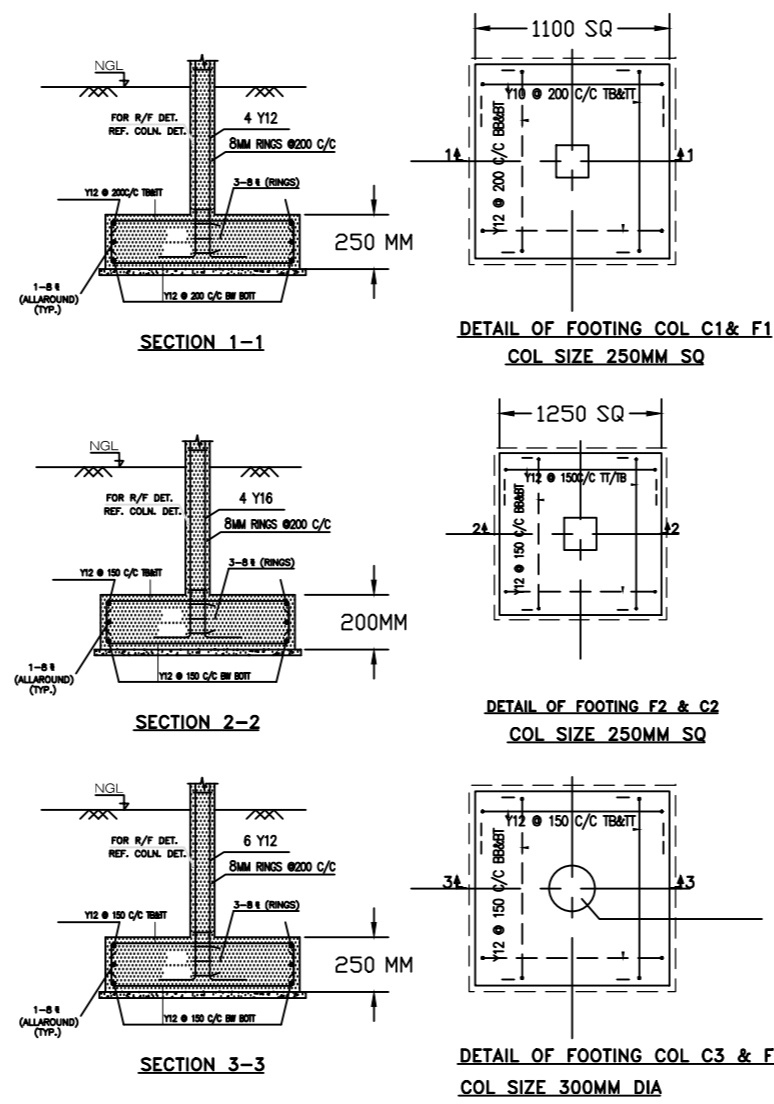


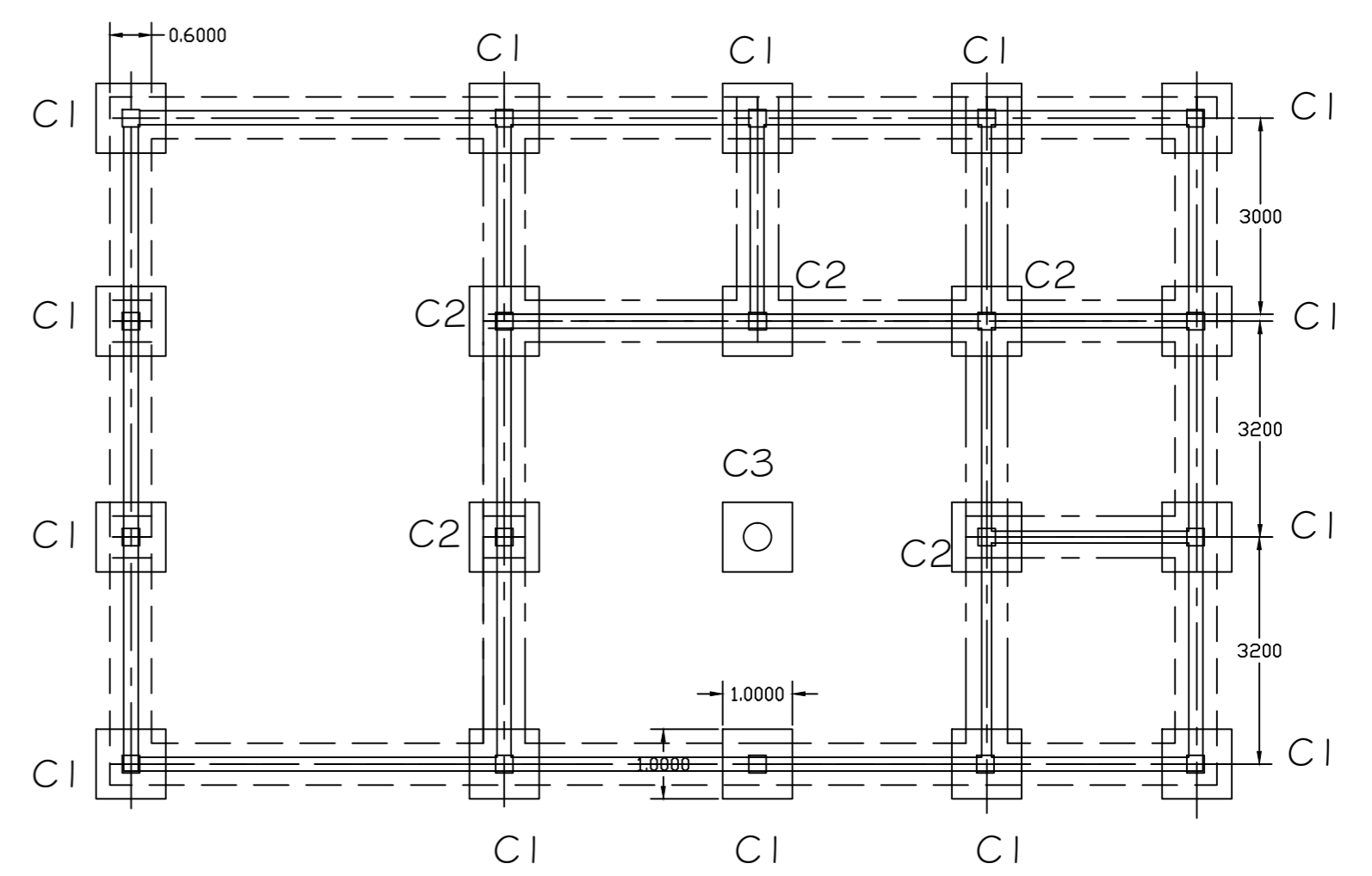
BEAM LAYOUT



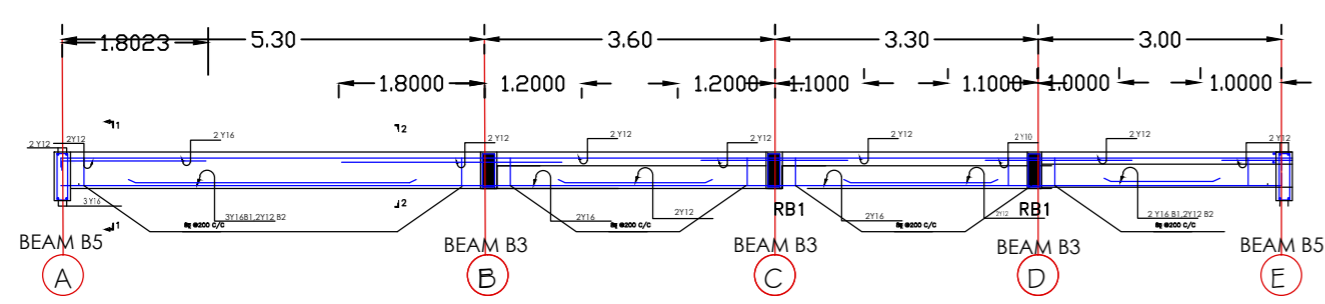
DETAIL OF FOOTING COL C1 & F1  
COL SIZE 250MM SQ

DETAIL OF FOOTING F2 & C2  
COL SIZE 250MM SQ

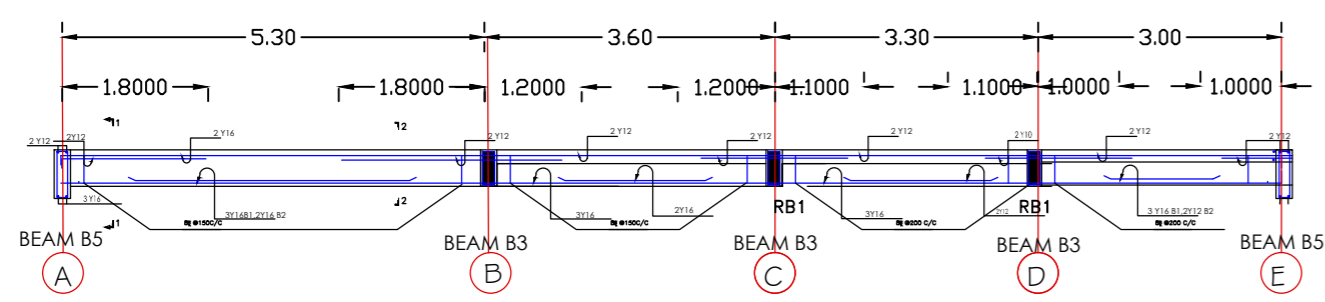
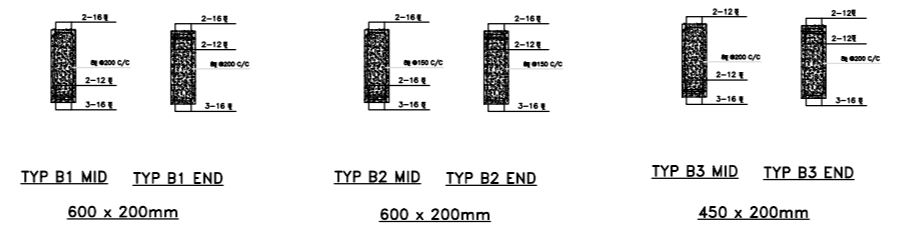
DETAIL OF FOOTING COL C3 & F3  
COL SIZE 300MM DIA



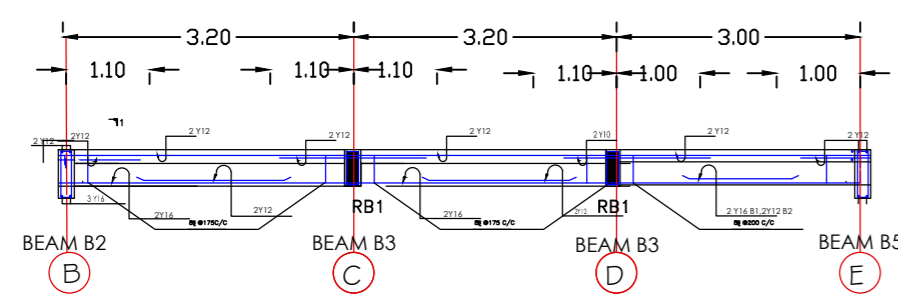
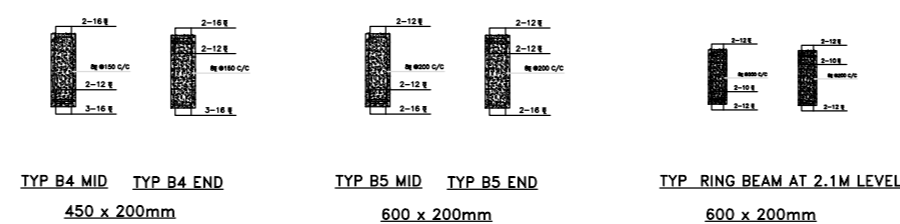
FOUNDATION LAYOUT



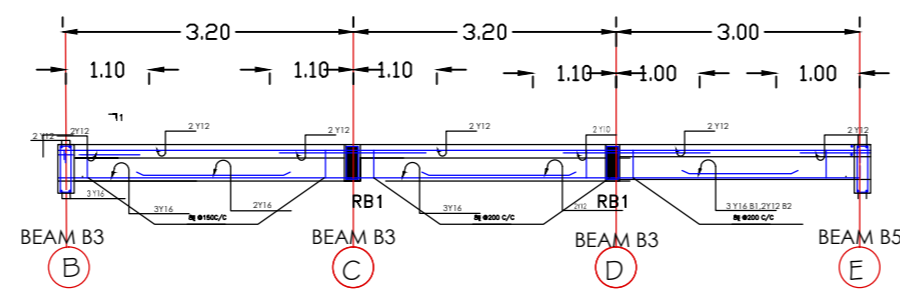
SEC THRU' GRID 1-1 & 4-4



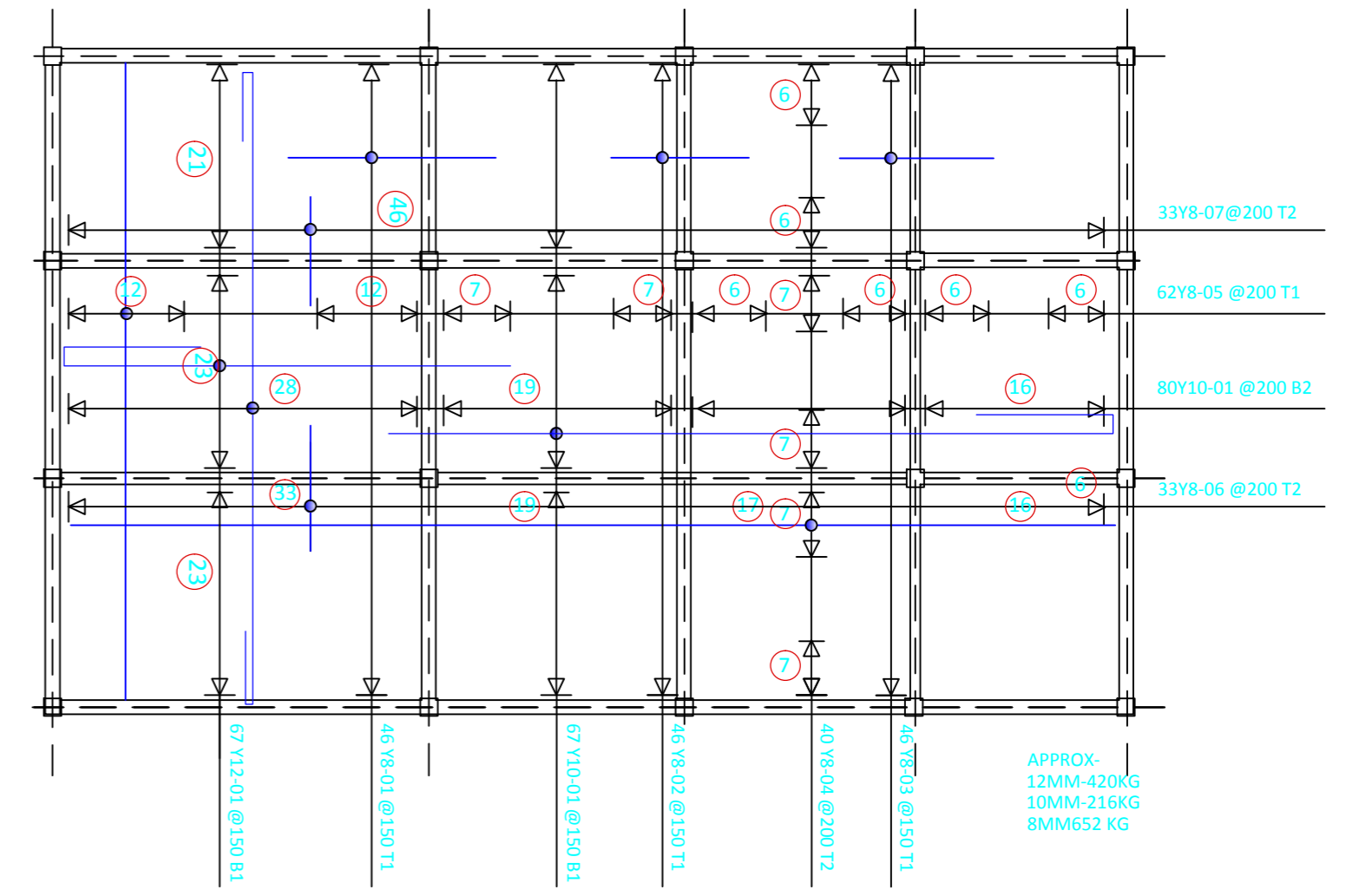
SEC THRU' GRID 2-2 & 3-3



SEC THRU' GRID A-A & E-E

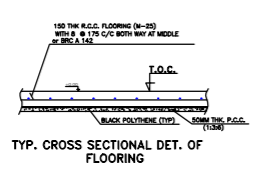


SEC THRU' GRID B-B, C-C & D-D



RCC SLAB LAYOUT

DATE	SIGN
APPROVED	
CHECKED ENGINEER I/C	
CHECKED P/D MAN	L.Obaro
CHECKED CIVIL ENG.	D.Mwaniki
DRAWN	JUNE 2013 J.M.Kahare
DIGITIZED	



REF	REVISION	DATE	SIGN	CHECKED	DATE

# CONTROL ROOM RCC DETAILS & FOUNDATION DETAILS



K.P.&L.Co.Ltd